



**Model Number**

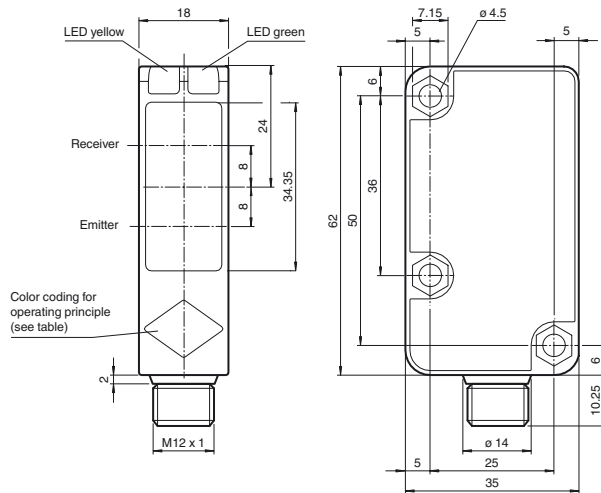
**RL31-8-2500-IR/59/73c/136**

Diffuse mode sensor  
with 4-pin, M12 x 1 connector

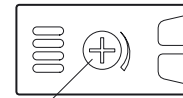
**Features**

- Highly visible LED
- Powerful push-pull output
- Compact and stable housing
- Protection class II

**Dimensions**

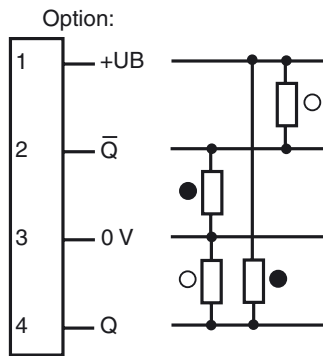


Operating principle	color
Retroreflective sensor with polarisation filter	green
Retroreflective sensor	blue
Diffusive mode sensor	white
Thru-beam sensor	grey
Diffusive mode sensor with background suppression	red



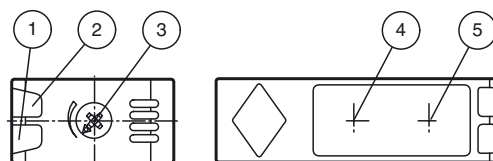
Sensing range adjuster

**Electrical connection**



- = Light on
- = Dark on

**Indicators/operating means**



1	Operating display	green
2	Signal display	yellow
3	Sensing range adjuster	
4	Emitter	
5	Receiver	

Release date: 2014-08-18 10:51 Date of issue: 2014-08-18 218711\_eng.xml

Refer to "General Notes Relating to Pepperl+Fuchs Product Information".

Pepperl+Fuchs Group  
www.pepperl-fuchs.com

USA: +1 330 486 0001  
fa-info@us.pepperl-fuchs.com

Germany: +49 621 776 4411  
fa-info@de.pepperl-fuchs.com

Singapore: +65 6779 9091  
fa-info@sg.pepperl-fuchs.com

**Technical data****General specifications**

Detection range	0 ... 2500 mm adjustable
Reference target	standard white 200 mm 200 mm
Light source	IREd
Light type	modulated infrared light , 850 nm
Polarization filter	no
Diameter of the light spot	approx. 50 mm at a distance of 2.5 m
Angle of divergence	2 °
Ambient light limit	50000 Lux ; according EN 60947-5-2

**Indicators/operating means**

Operation indicator	LED green: power on
Function indicator	LED yellow, lights up with receiver lit
Control elements	Detection range adjuster

**Electrical specifications**

Operating voltage	$U_B$	10 ... 30 V DC , class 2
Ripple		10 %
No-load supply current	$I_0$	≤ 20 mA

**Output**

Switching type	dark on	
Signal output	2 push-pull (4 in 1) outputs, short-circuit protected, reverse polarity protected	
Switching voltage	max. 30 V DC	
Switching current	max. 100 mA	
Voltage drop	$U_d$	≤ 1.5 V
Switching frequency	$f$	≤ 500 Hz
Response time		≤ 1 ms

**Ambient conditions**

Ambient temperature	-30 ... 55 °C (-22 ... 131 °F)
Storage temperature	-40 ... 70 °C (-40 ... 158 °F)

**Mechanical specifications**

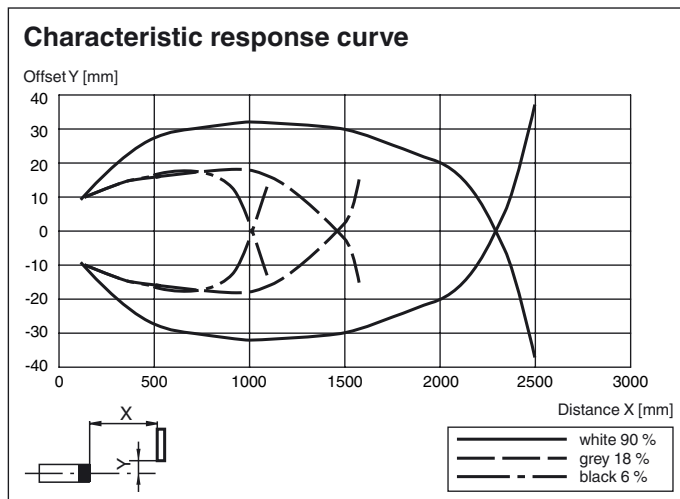
Degree of protection	IP67
Connection	4-pin, M12 x 1 connector
Material	
Housing	Polycarbonate
Optical face	PMMA
Mass	25 g

**Compliance with standards and directives**

Directive conformity	EMC Directive 2004/108/EC
Standard conformity	
Product standard	EN 60947-5-2:2007 IEC 60947-5-2:2007

**Approvals and certificates**

Protection class	II , rated insulation voltage ≤ 250 V AC with pollution degree 1-2 according to IEC 60664-1 Output circuit basis insulation of input circuit according to EN 50178, rated insulation voltage 240 V AC
UL approval	cULus Listed, Class 2 Power Source, Type 1 enclosure
CCC approval	CCC approval / marking not required for products rated ≤ 36 V

**Curves/Diagrams****Accessories**

**OMH-RL31-01**  
Mounting bracket

**OMH-RL31-02**  
Mounting bracket narrow

**OMH-RL31-03**  
Mounting bracket narrow

**OMH-RL31-04**  
Mounting aid for round steel ø 12 mm or sheet 1.5 mm ... 3 mm

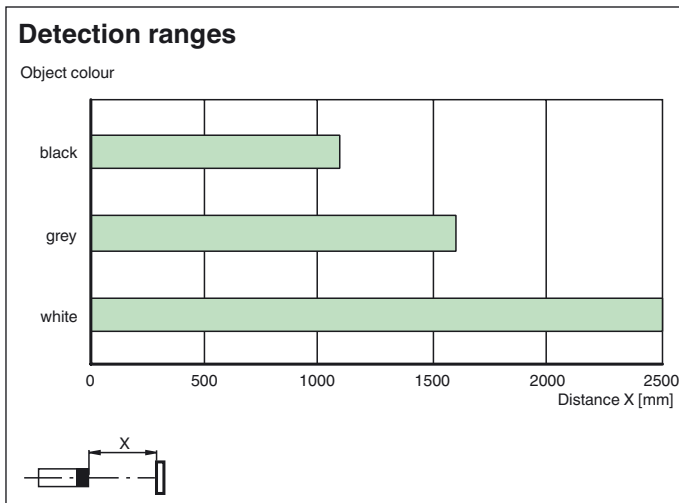
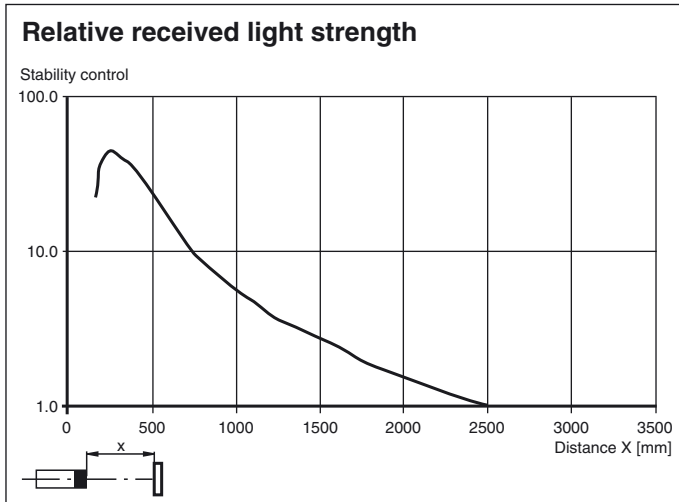
**OMH-RL31-05**  
Mounting bracket with M10 threaded rod

**OMH-RL31-06**  
Stainless steel mounting bracket with adjustable half clamp on the side

**V1-G-2M-PUR**  
Female cordset, M12, 4-pin, PUR cable

**V1-W-2M-PUR**  
Female cordset, M12, 4-pin, PUR cable

Other suitable accessories can be found at [www.pepperl-fuchs.com](http://www.pepperl-fuchs.com)



Release date: 2014-08-18 10:51 Date of issue: 2014-08-18 218711\_eng.xml

Refer to "General Notes Relating to Pepperl+Fuchs Product Information".

Pepperl+Fuchs Group  
www.pepperl-fuchs.com

USA: +1 330 486 0001  
fa-info@us.pepperl-fuchs.com

Germany: +49 621 776 4411  
fa-info@de.pepperl-fuchs.com

Singapore: +65 6779 9091  
fa-info@sg.pepperl-fuchs.com