



**Thermo regulator KTR-B**

- Regulation and monitoring of temperatures
- Optionally with temperature indication
- Up to a maximum of 7 functions in one device

**Function:**

The thermostats work on the principle of liquid expansion. The system is composed of sensor, capillary tube and membrane. When heating up the sensor the expansive liquid is displaced by the capillary tube into the membrane activating there a working stroke. This working stroke actuates the snap switch effecting the opening and closing of the potential-free contact.

There are several types of thermostats available.

Regulator and display have separate systems, which are placed together in one protective sleeve.

The housings can be rotated and fixed in all positions. The housing cap is transparent. For the electrical connection the housing cap (4 screws) and the front plate (1 screw) have to be detached.

**Technical data - general:**

Protection:	IP65
Ambient temperature:	-40 ... +80 °C
Max operating pressure:	16 bar
Material:	
Housing	Macrolon
Immersion pipe	1.4301
Electr. connection:	Flat plug 6,3x0,8 (DIN 46244)

**Thermostat: T5**

Contact material:	Silver
Switch voltage max.:	250 VUC
Switch current AC / DC max.:	16A / 4A
Switch precision: <sup>(1)</sup>	±3 °C
Switch difference max.:(1)	5 °C
Regulation range:	0 ... 80 °C

**Thermostat: T10**

Contact material:	Silver
Switch voltage max.:	250 VUC
Switch current AC / DC max.:	16A / 4A
Switch precision: <sup>(1)</sup>	±5 °C
Switch difference max.:(1)	10 °C
Regulation range:	10 ... 120 °C

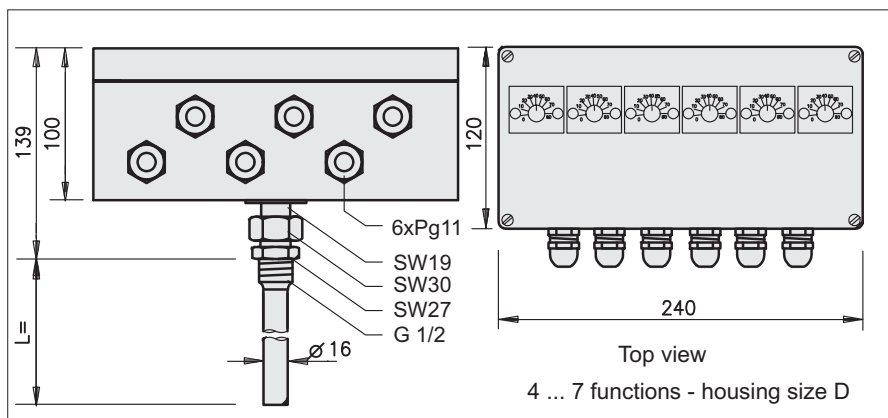
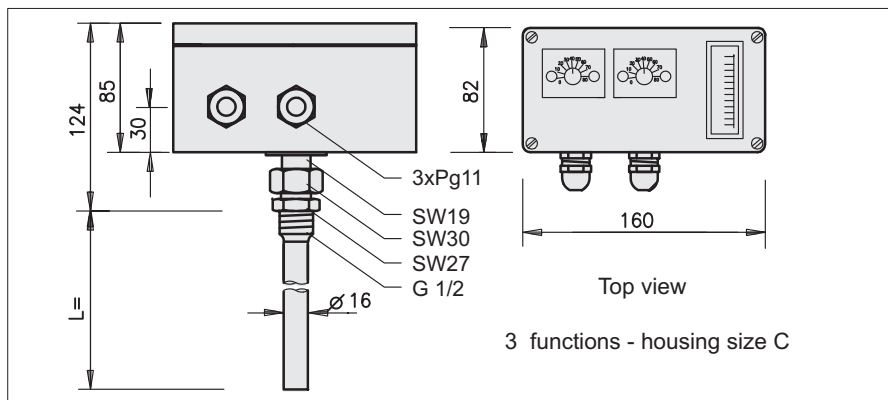
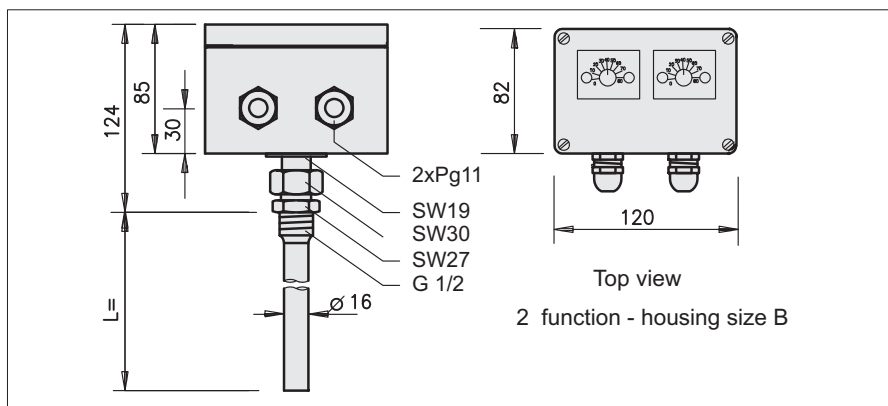
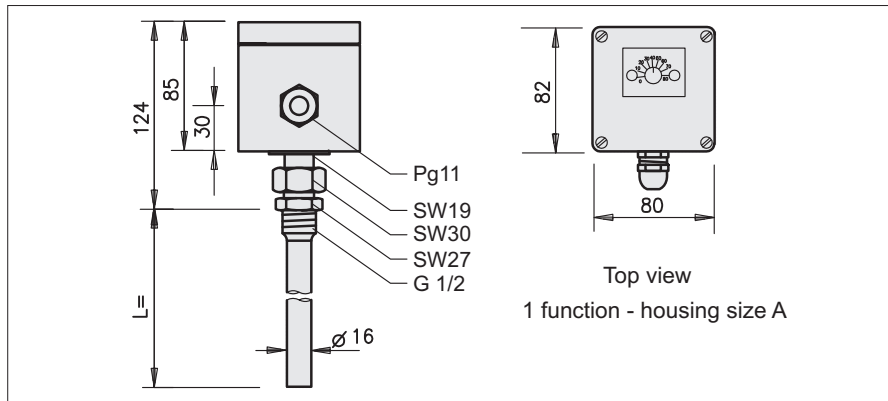
**Thermostat: G5**

Contact material:	Gold
Switch voltage max.:	24 VDC
Switch current:	5 mA ... 0,3A
Switch precision: <sup>(1)</sup>	±3 °C
Switch difference max.:(1)	5 °C
Regulation range:	0 ... 80 °C

**Temperature display: TA**

Measuring range:	0 ... 120 °C
Calibration:	±2 at 70 °C

(<sup>1</sup>) see reverse)



- Subject to modifications -





## Important information about this data sheet

Reproduction, also in extracts, only permitted with the approval of the firm of EUGEN WOERNER GmbH & Co. KG.

All the information in this data sheet has been examined for correctness with great care. Nevertheless, WOERNER cannot assume any liability for losses or damage resulting directly or indirectly from the application of the information contained in this data sheet.

All products from WOERNER may only be used as intended and corresponding to the information in this data sheet.

For products supplied with operating instructions, the additional directives and information contained in them are to be complied with.

Materials deviating from those mentioned in this data sheet and the technical documents which further apply may only be poured into and processed in the appliances and systems manufactured and supplied by WOERNER by following agreement with and written approval by WOERNER.

The safety and danger information stated in the safety data sheets of the substances used must be taken into account at all costs.

Transportation of gases, liquefied gases, gases under pressure, vapours and liquids, the vapour pressure of which is more than 0,5 bar above normal atmospheric pressure (1013 mbar) at the maximum admissible temperature, of easy inflammable or explosive media as well as transportation of foodstuffs is forbidden.

## Information on EU Directive 2002/95/EC (RoHS)

With Directive 2002/95/EC of January 27, 2003, for the limitation of the use of certain hazardous substances in electrical and electronic devices (RoHS) material bans come into effect from July 2006 for electrical and electronic devices newly placed on the market for lead, cadmium, hexavalent chromium, mercury and brominated flame retardants.

In its controls and switching devices, WOERNER only uses materials which fulfil the criteria of EU Directive 2002/95/EC.

To the extent that hexavalent chromium has been used as corrosion protection in the parts which we produce ourselves, it has already been replaced by other environmentally tolerable protective measures.

The mechanical devices supplied by WOERNER are not affected by EU Directive 2002/95/EC.

But as WOERNER is conscious of its responsibility towards the environment, we shall also use materials fulfilling the requirements of the Directive for devices not covered by EU Directive 2002/95/EC as soon as they are generally available and their use is technically possible.